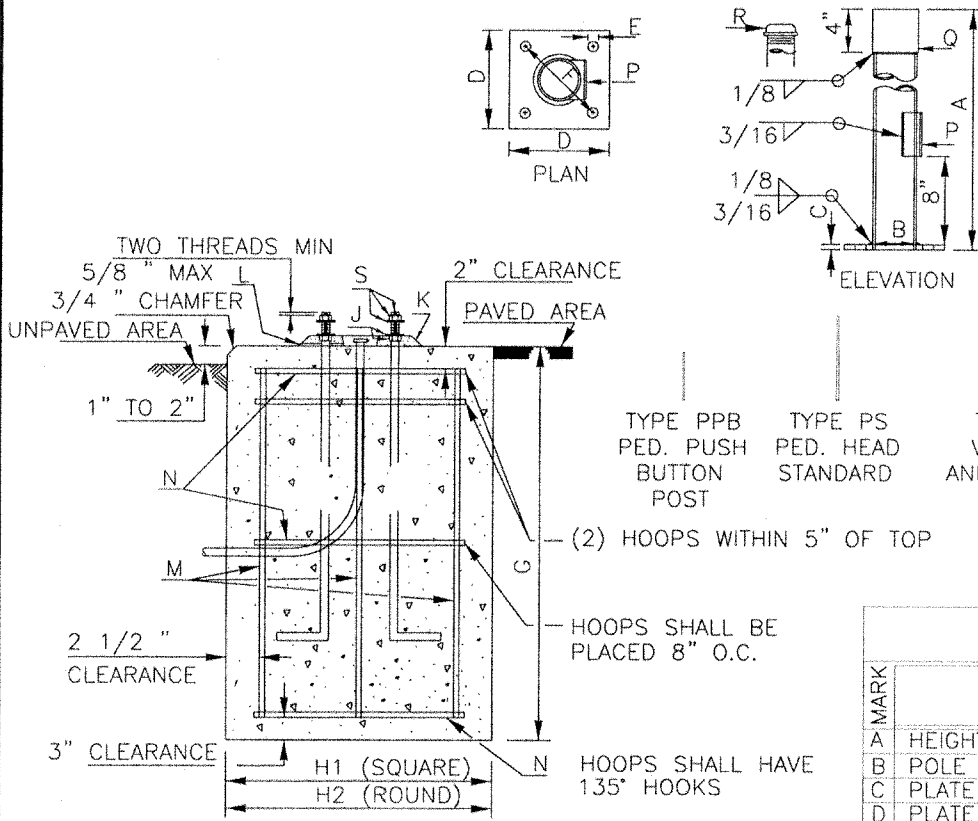
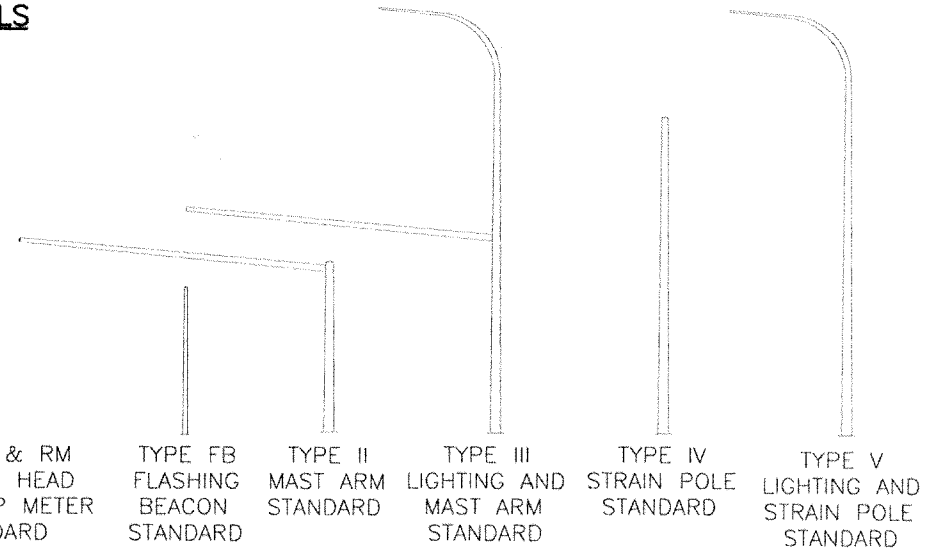


TYPE PPB, PS, I, RM, & FB STANDARD DETAILS



FOUNDATION DETAILS



SIGNAL STANDARD TYPE DESIGNATIONS

TYPE PPB, PS, I, RM & FB STANDARD DIMENSION CHART

| MARK | ITEM | TYPE PPB | TYPE PS | TYPE I | TYPE RM | TYPE FB |
|------|------------------------|-----------|-----------|-----------|-----------|-----------|
| A | HEIGHT | 4'-6" | 8'-0" | 10'-0" | SHEET 2 | SHEET 2 |
| B | POLE BASE DIA | 2 1/2" | * | * | * | * |
| C | PLATE THICKNESS | 1/2" | 1/2" | 1/2" | SHEET 2 | SHEET 2 |
| D | PLATE WIDTH | 5" | 9" | 9" | SHEET 2 | SHEET 2 |
| E | HOLE DIA | 5/8" | 1" | 1" | SHEET 2 | SHEET 2 |
| F | BOLT CIRCLE | 4 1/2" | 8 1/2" | 8 1/2" | SHEET 2 | SHEET 2 |
| G | FOUNDATION DEPTH | 1'-6" | 3'-0" | 3'-0" | 3'-0" | 3'-0" |
| H1 | FOUNDATION WIDTH | 1'-6" | 2'-0" | 2'-0" | 2'-0" | 2'-0" |
| H2 | FOUNDATION DIA | 2'-0" | 2'-3" | 2'-3" | 2'-3" | 2'-3" |
| J | NUT & WASHER | FOUR 1/2" | 3/4" | 3/4" | 3/4" | 3/4" |
| K | GROUT PAD THICKNESS | NONE | ** | ** | SHEET 2 | SHEET 2 |
| L | PLASTIC DRAIN TUBE DIA | NONE | 3/8" | 3/8" | 3/8" | 3/8" |
| M | VERTICAL RE-BAR | NONE | EIGHT #4 | EIGHT #4 | EIGHT #4 | EIGHT #4 |
| N | HORIZ. RE-BAR HOOP | NONE | SIX #4 | SIX #4 | SIX #4 | SIX #4 |
| P | HANDHOLE SIZE | NONE | 3-1/2"x4" | 3-1/2"x4" | 3-1/2"x4" | 3-1/2"x4" |
| Q | SLIPFITTER DIA (I.D.) | NONE | 4" | 4" | 4" | 4" |
| R | CAP DIA | 2 1/2" | NONE | NONE | NONE | NONE |

* TAPERED ROUND OR OCTAGONAL SHAFT, 11 GAGE, 4" OD AT SLIPFITTER WELD.
 ** LEVELING NUT HEIGHT 1" MAXIMUM.
 LEVELING NUTS NOT REQUIRED FOR TYPE PPB STANDARD TAPER = 0.14 INCHES/FT.

ANCHOR BOLT, NUT, & WASHER SIZES

| MARK | STANDARD | DIMENSIONS |
|------|--------------|-------------------------|
| S | TYPE PPB | 4 - 1/2" DIA x 12" x 2" |
| S | TYPE PS & I | 4 - 3/4" DIA x 30" x 4" |
| S | TYPE FB & RM | 3 - 3/4" DIA x 30" x 4" |

APPROVED FOR PUBLICATION

CITY OF TACOMA
DEPARTMENT OF PUBLIC WORKS

CITY ENGINEER 

DATE 2/4/03

SIGNAL STANDARD TYPE DESIGNATIONS AND TYPE PPB, PS, I, RM, & FB DETAILS

STANDARD PLAN NO. TS-17