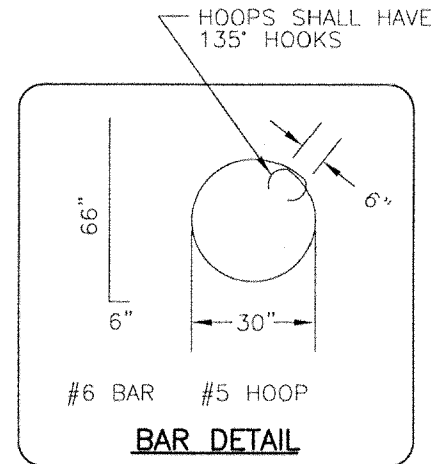
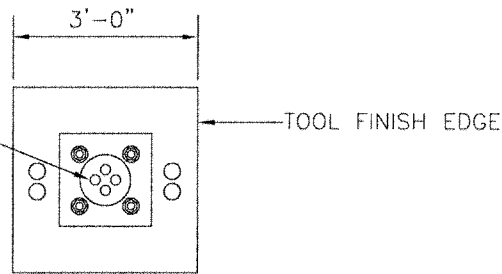
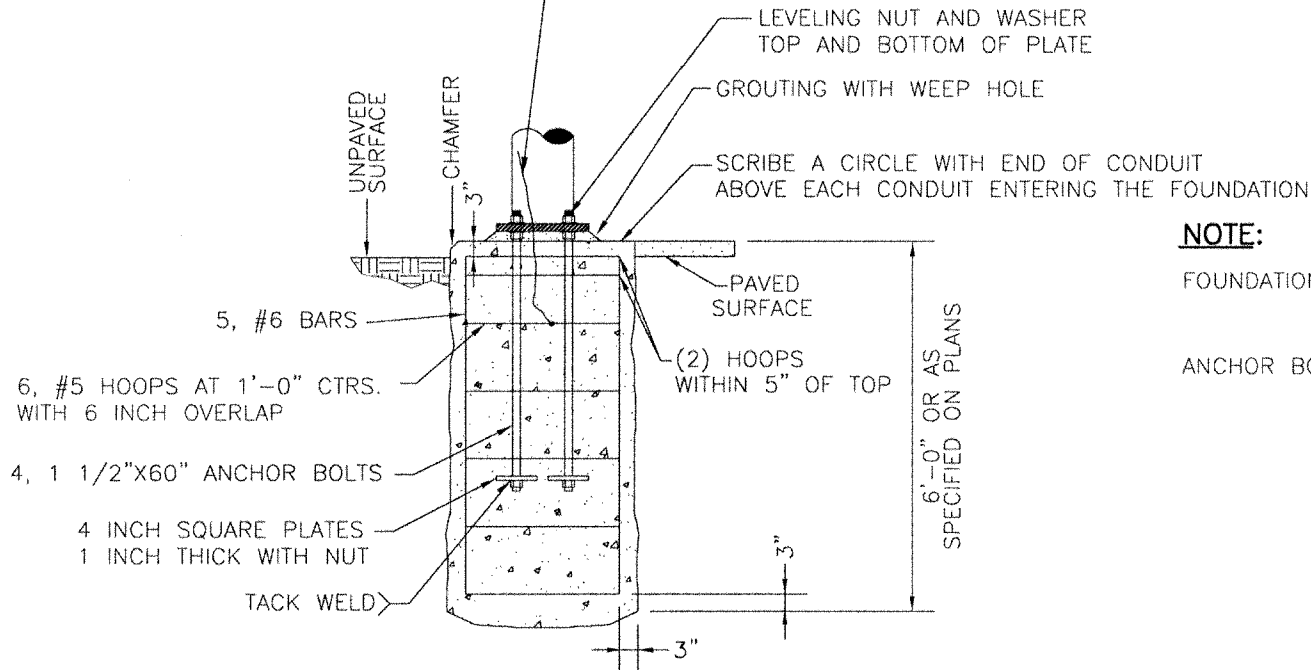


CONDUIT SHALL BE CENTERED IN 8 INCH DIAMETER CIRCLE WITH SPACING FOR COUPLINGS. CONDUIT SHALL BE STRAIGHT AND VERTICAL IN POLE. THERE SHALL BE A MINIMUM OF 4 CONDUITS IN EACH FOUNDATION.



#6 STRANDED GROUND CABLE. BOND CAGE TO GROUND LUG.



NOTE:

FOUNDATION

TOP ELEVATION SET BY ENGINEER.
TOP 6 INCHES SHALL BE FORMED SQUARE.

ANCHOR BOLTS

SPACING AS PER TEMPLATE SUPPLIED BY POLE SUPPLIER.
TOP OF BOLTS TO BE LEVEL.
SEE SECTION 9-29.14 OF THE CITY AMENDMENTS.
ANCHOR BOLTS SHALL EXTEND 6.0 TO 6.5 INCHES ABOVE THE FOUNDATION UNLESS OTHERWISE SPECIFIED.

CITY OF TACOMA
DEPARTMENT OF PUBLIC WORKS

APPROVED FOR PUBLICATION

CITY ENGINEER

DATE 2/4/03

STRAIN POLE
STANDARD
FOUNDATION

STANDARD PLAN NO. TS-09