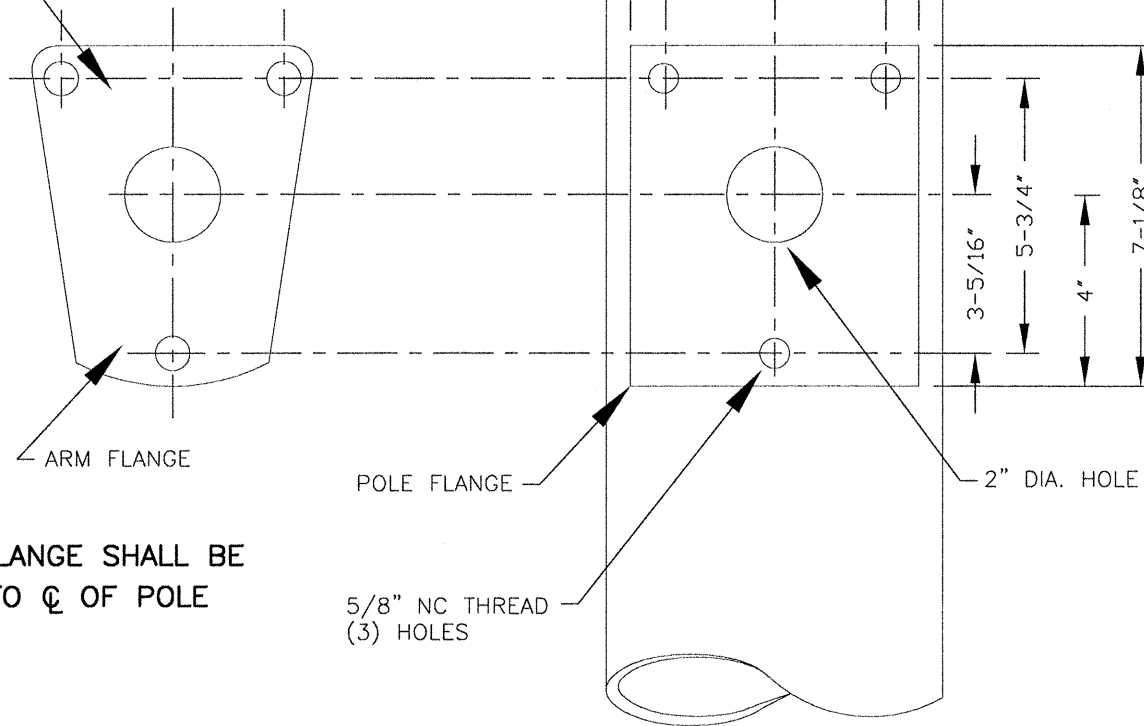


23/32" DIA.
(3) HOLES



FACE OF FLANGE SHALL BE
PARALLEL TO ϕ OF POLE

5/8" NC THREAD
(3) HOLES

APPROVED FOR PUBLICATION

CITY OF TACOMA
DEPARTMENT OF PUBLIC WORKS

CITY ENGINEER

DATE 2/4/03

STREETLIGHT
MAST ARM MOUNTING
FLANGE DETAIL

STANDARD PLAN NO. TS-07