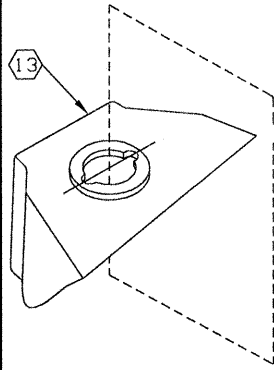
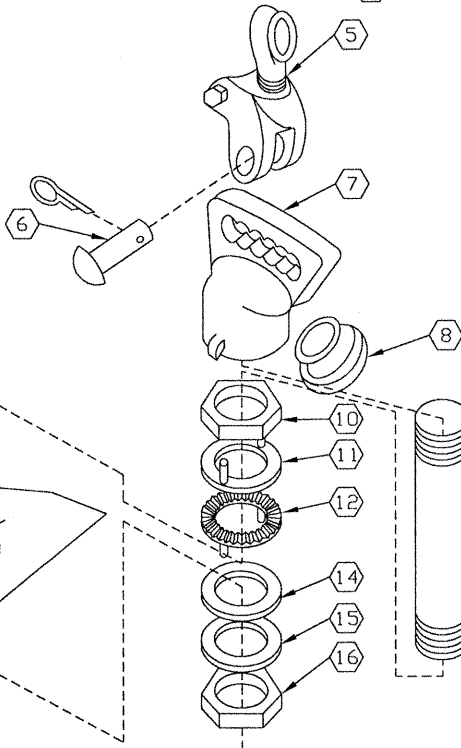


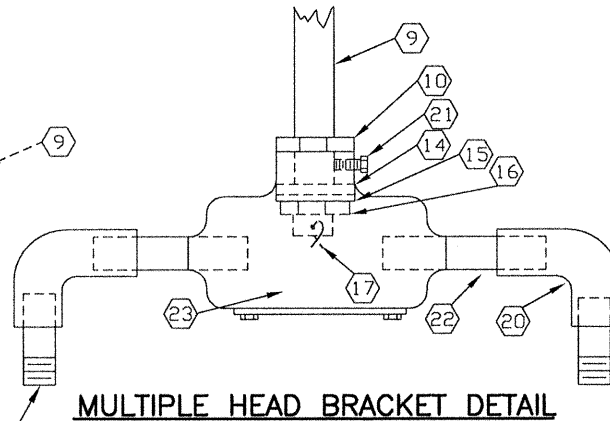
**ASSEMBLED HEAD DETAIL**

NOTE: A FIVE POSITION TERMINAL BLOCK SHALL BE MOUNTED INSIDE AT THE BACK OF THE YELLOW SECTION HOUSING.



SEE ASSEMBLED HEAD DETAIL (ABOVE)

PLACE AUTOCAULKING DUCT SEAL BETWEEN ALL TOP EXTERIOR COMPRESSION JOINTS.



**MULTIPLE HEAD BRACKET DETAIL**

(SHALL INCLUDE LOWER TIE BRACE)

**LEGEND**

1. 1/2" STAINLESS STEEL NUT WITH LOCK WASHERS (STAINLESS STEEL OR BRONZE).
2. 9" CABLE SADDLE (BRONZE). PAINTED GREEN, TO FIT 1/4" TO 1/2" SPAN WIRE.
3. SPAN WIRE.
4. 1/2" 'J' CABLE CLAMPS (STAINLESS STEEL).
5. BRONZE BALANCE ADJUSTER DIRECTIONAL LOCK, PAINTED GREEN, WITH STAINLESS STEEL BOLTS AND WASHERS.
6. 5/8" PINS (STAINLESS STEEL) WITH BRASS OR STAINLESS STEEL COTTER PIN. INSTALL BRASS OR STAINLESS STEEL WASHERS ON EACH SIDE OF COTTER PIN.
7. BRONZE ENTRANCE FITTING, PAINTED GREEN.
8. 1-1/2" INSULATED CHASE NIPPLE.
9. 1-1/2" GALVANIZED DROP PIPE PAINTED SILVER. SEE NOTE BELOW. BOTTOM THREADS TO ACCOMODATE FULL NUT AND LOCKING WIRE.
10. 1-1/2" MALLEABLE LOCK NUT-JAM TIGHT BEFORE INSTALLING HEAD.
11. (NON-CORROSIVE) SERRATED LOCKING WASHER.
12. SERRATED LOCKING WASHER (MAY BE OMITTED IF THE TOP OF THE VEHICLE HEAD IS SERRATED).
13. SIGNAL HEAD WITH AUTOCAULKING IN LOCKING HOLES AT TOP OF THE VEHICLE HEAD.
14. 1-1/2" DIAMETER FLAT CORK GASKET. (NEOPRENE OK)
15. 1-1/2" NON-CORROSIVE SLIP RING.
16. 1-1/2" MALLEABLE NUT.
17. SAFETY LOCKING WIRE, #14TW OR EQUAL.
18. NUT (NO GASKET).
19. PINNACLE (NO WASHER) BOTTOM OF LOWEST SECTION.
20. 1-1/2" GALVANIZED 90° ELBOW, PAINTED GREEN.
21. STAINLESS STEEL SET SCREW WITH HEX HEAD.
22. 1-1/2" GALVANIZED NIPPLE, PAINTED GREEN.
23. TWO-WAY HOUSING WITH BOTTOM COVER, PAINTED GREEN.

**NOTE:**

ALL METAL THREADS AND BRACKETS SHALL BE PAINTED WITH A HIGH QUALITY RUST PREVENTATIVE PAINT. A COAT OF GALVANIZED BONDING PRIMER SHALL BE APPLIED AND THOROUGHLY DRY BEFORE APPLYING FINISH COAT OF PAINT. ANY PAINTED HARDWARE DAMAGED DURING ASSEMBLY OR SHIPPING SHALL BE PAINTED AGAIN.

CITY OF TACOMA  
DEPARTMENT OF PUBLIC WORKS

APPROVED FOR PUBLICATION

CITY ENGINEER

*[Signature]*  
DATE 2/4/03

VEHICLE TRAFFIC SIGNAL  
(SINGLE & MULTIPLE)  
HANGER ASSEMBLY

STANDARD PLAN NO. TS-01