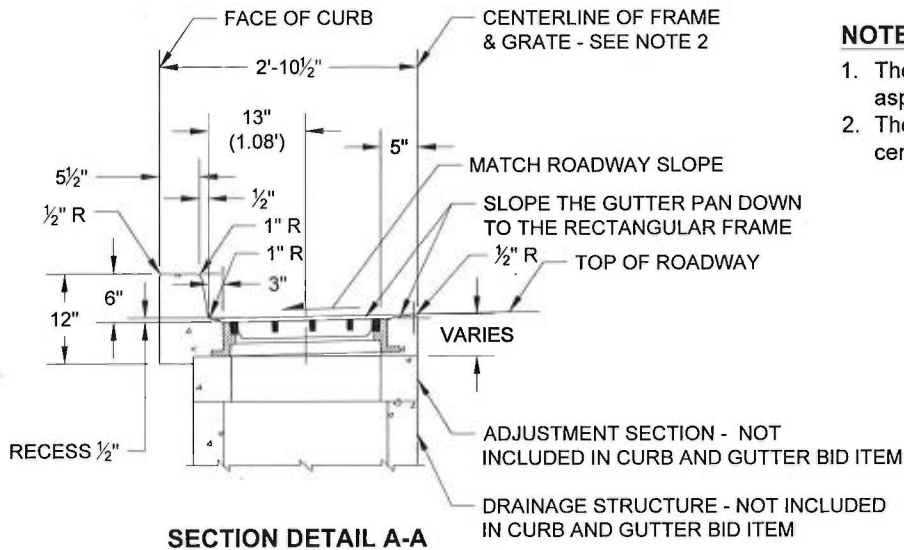


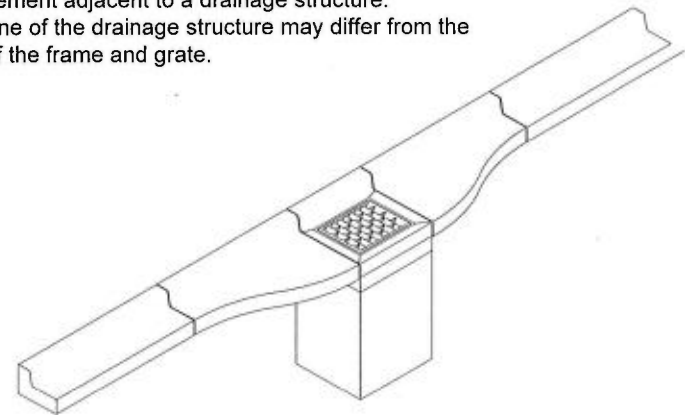
RECTANGULAR FRAME AND GRATE - NOT INCLUDED IN CURB AND GUTTER BID ITEM

**NOTES:**

1. The intent of this design is to facilitate the compaction of hot mix asphalt pavement adjacent to a drainage structure.
2. The centerline of the drainage structure may differ from the centerline of the frame and grate.



**SECTION DETAIL A-A**



DCS  
PUBLIC WORKS  
NA  
TACOMA POWER

REVIEWED BY GMS  
ENVIRONMENTAL SERVICES  
NA  
TACOMA WATER



APPROVED FOR PUBLICATION  
*[Signature]*  
CITY ENGINEER  
8/16/16  
DATE

CITY OF TACOMA  
CEMENT CONCRETE CURB AND GUTTER PAN  
STANDARD PLAN NO. SU-30