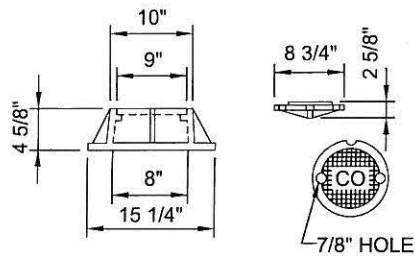


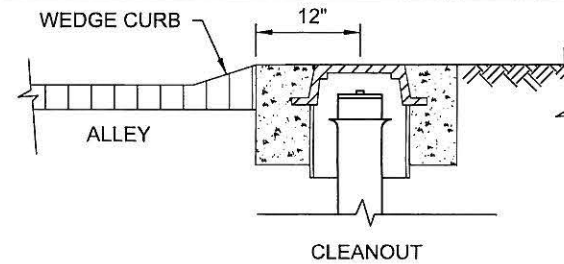
**CLEANOUT DETAIL**  
NOT TO SCALE



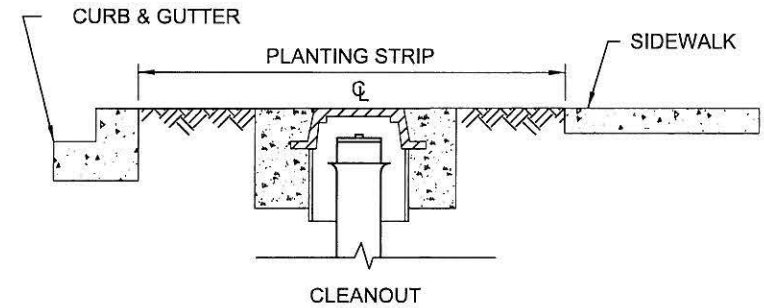
**FRAME AND COVER DETAIL**  
NOT TO SCALE

**NOTE:**

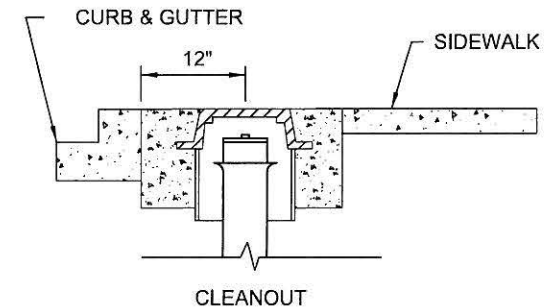
When no curb and gutter or sidewalk exist, locate cleanout in future planting strip.



**TYPICAL ALLEY SECTION**



**TYPICAL SIDEWALK SECTION**



**TYPICAL COMBINATION SIDEWALK SECTION**

**STANDARD CLEANOUT LOCATION**  
NOT TO SCALE

CITY OF TACOMA  
DEPARTMENT OF PUBLIC WORKS

APPROVED FOR PUBLICATION

*James Parvey*  
CITY ENGINEER

12 Jun 2009  
DATE

SIDE SEWER CLEANOUT  
AND  
COVER DETAIL  
STANDARD PLAN NO. SU-24