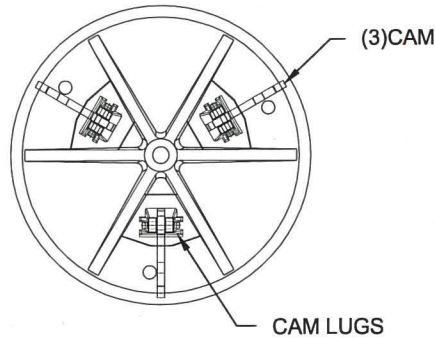
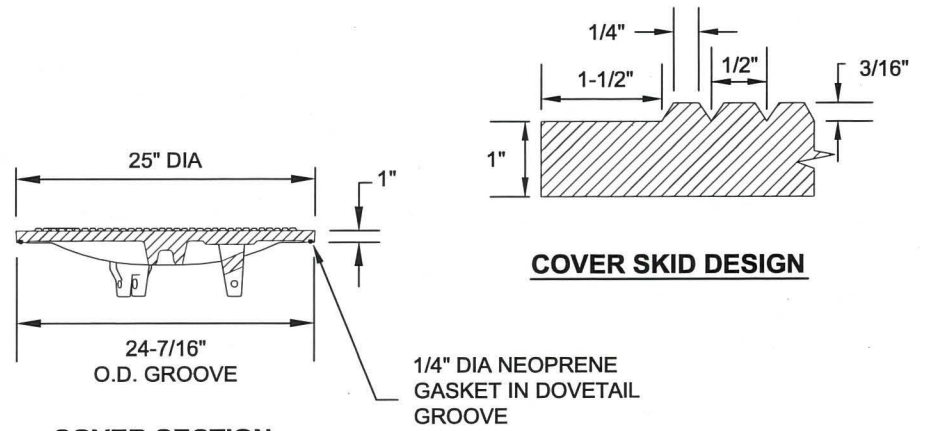


PLAN VIEW

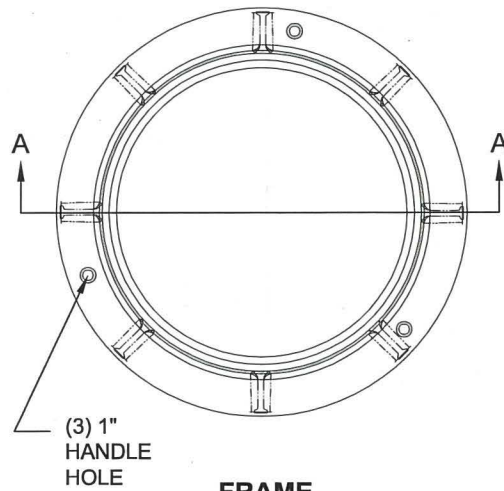


BOTTOM VIEW

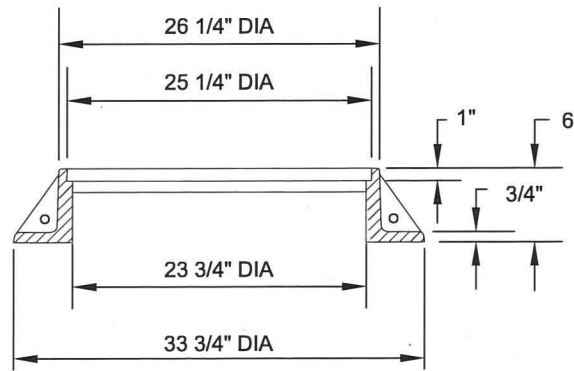


COVER SECTION

COVER SKID DESIGN



FRAME



SECTION A-A

NOTES:

1. Covers shall have the word "SANITARY" in 2 inch raised letters when used with sanitary sewer installations, or "STORM" when installed with storm sewers. All covers shall have the words "CITY OF TACOMA" in 1-1/2 inch raised letters and the words "CONFINED SPACE" in 1-inch raised letters.
2. Lids must be interchangeable, any lid shall fit any and all frames.
3. Frame and cover shall be designed for H-20 loading.
4. Frame shall be grey-iron conforming to the requirements of AASHTO M 105, grade 30B.
5. Covers shall be ductile iron conforming to ASTM A 536, grade 80-55-06.
6. Per WSDOT Standard Specification 9-05.15, metal castings shall not be dipped, painted, welded, plugged, or repaired.

CITY OF TACOMA
DEPARTMENT OF PUBLIC WORKS

APPROVED FOR PUBLICATION

[Signature]
CITY ENGINEER

1/17/07
DATE

MANHOLE FRAME AND COVER

STANDARD PLAN NO. SU-22