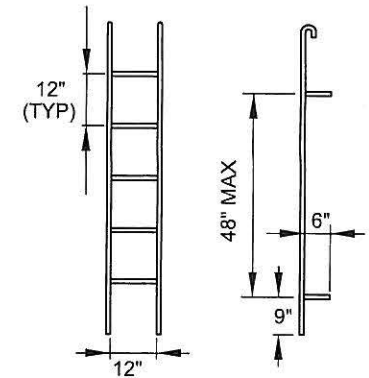
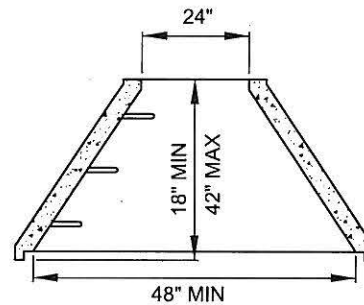
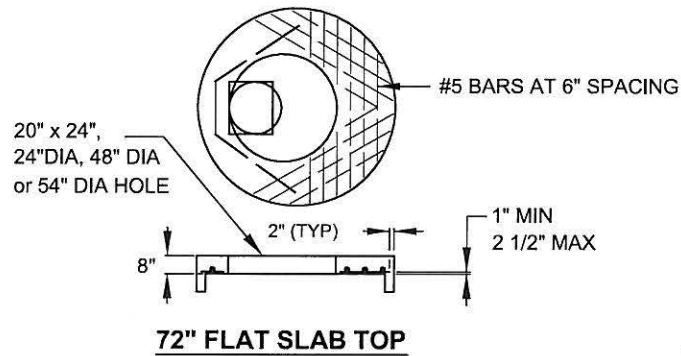


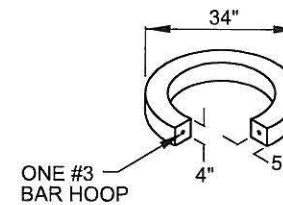
RECTANGULAR ADJUSTMENT SECTION



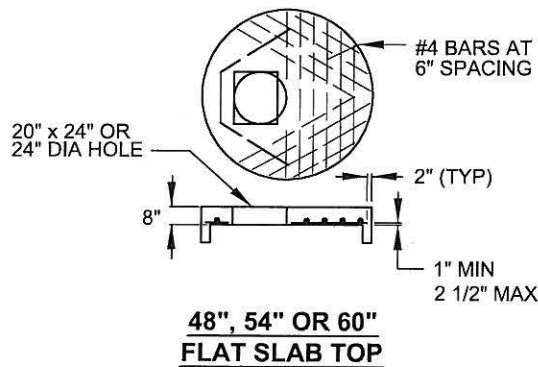
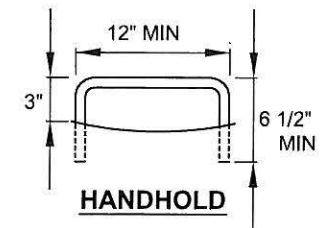
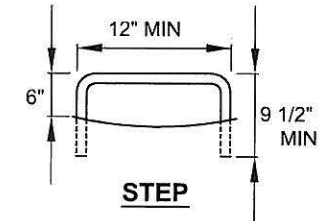
PREFABRICATED LADDER



CONCENTRIC CONE SECTION



CIRCULAR ADJUSTMENT SECTION



NOTE:

As an acceptable alternate to rebar, wire mesh having a minimum area of 0.12 square inches per foot may be used for adjustment sections.

CITY OF TACOMA
DEPARTMENT OF PUBLIC WORKS

APPROVED FOR PUBLICATION

Jane Pervey
CITY ENGINEER

12 Jun 2009
DATE

MISCELLANEOUS DETAILS
FOR MANHOLES AND
CATCH BASINS
STANDARD PLAN NO. SU-21