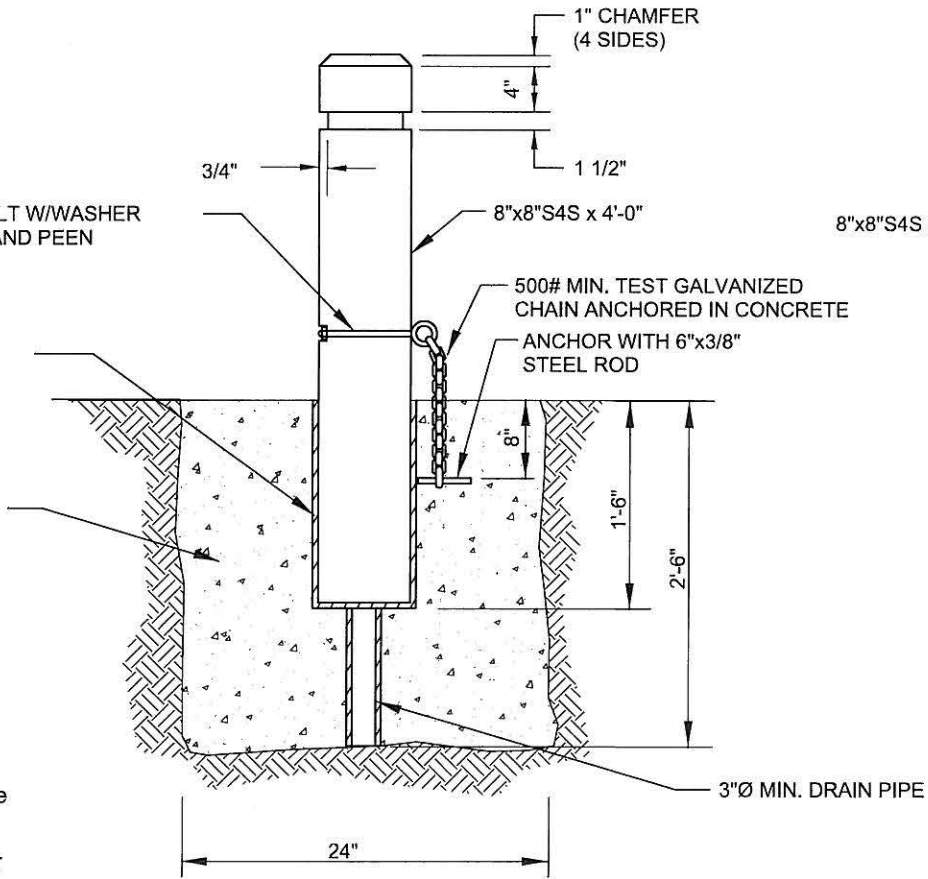


1/2" GALVANIZED EYE BOLT W/WASHER AND NUT. RECESS NUT AND PEEN BOLT THREADS.

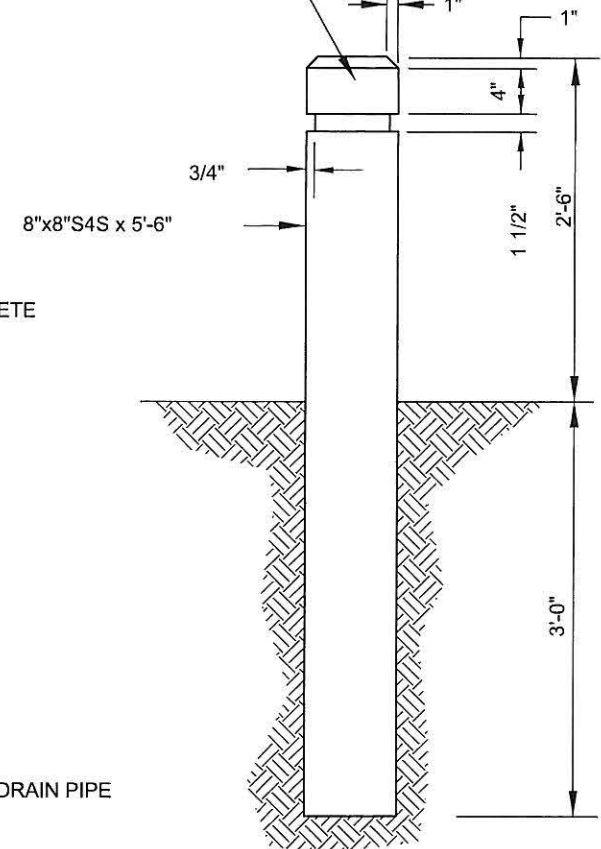
1/8" MIN. THICKNESS GALVANIZED STEEL. INTERIOR SIDE DIMENSIONS 1/2" GREATER THAN POST DIMENSIONS.

CLASS 3000 CONCRETE



**REMOVABLE BOLLARD**

PAINT TOP 5" WHITE



**FIXED BOLLARD**

**NOTES:**

1. Timber shall be douglas fir, dense construction grade, and shall be pressure treated.
2. Steel tube shall conform to ASTM A53 or ASTM A53 Grade A.
3. Nuts, bolts, & washers shall conform to ASTM A307.
4. All steel parts shall be galvanized.

APPROVED FOR PUBLICATION

CITY OF TACOMA  
DEPARTMENT OF PUBLIC WORKS

*James Perry*  
CITY ENGINEER

12 Jun 2007  
DATE

BOLLARD DETAILS

STANDARD PLAN NO. SU-12