

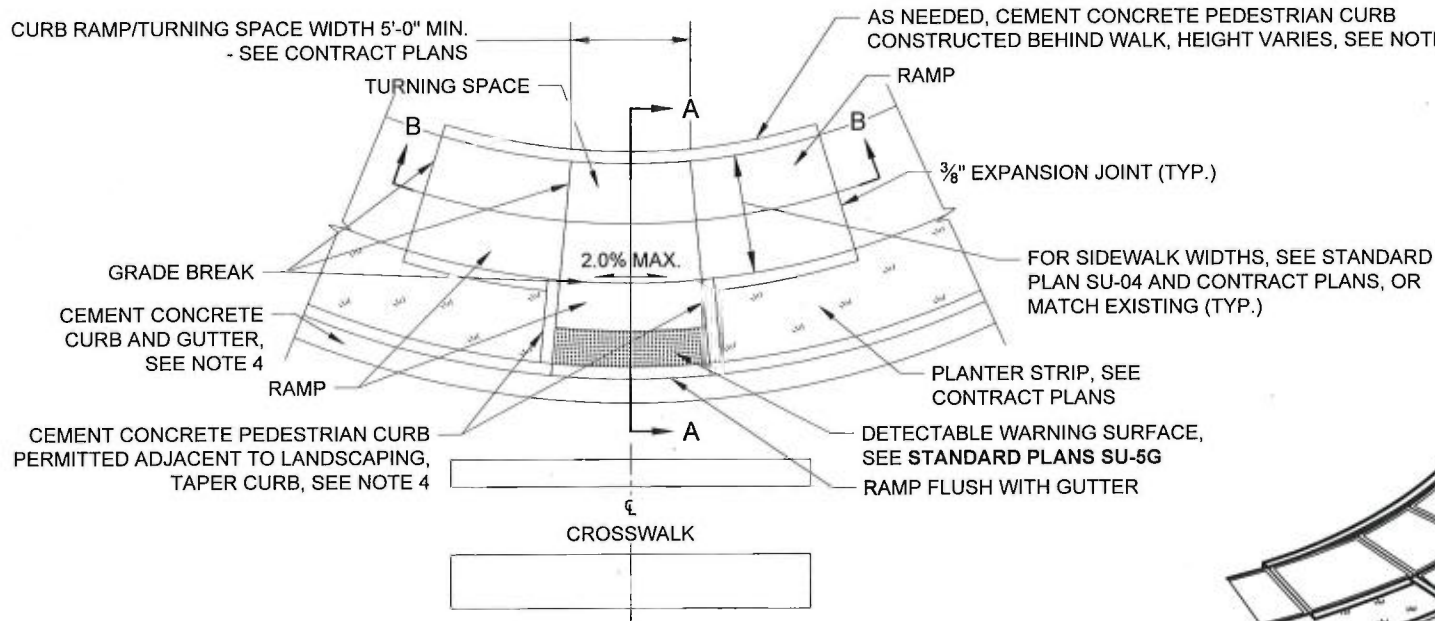
CURB RAMP/TURNING SPACE WIDTH 5'-0" MIN.
- SEE CONTRACT PLANS

AS NEEDED, CEMENT CONCRETE PEDESTRIAN CURB
CONSTRUCTED BEHIND WALK, HEIGHT VARIES, SEE NOTE 4

NOTES:
See **Standard Plan SU-05** for
referenced notes

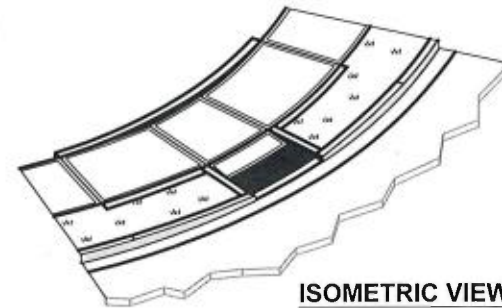
LEGEND

— SLOPE IN EITHER
DIRECTION

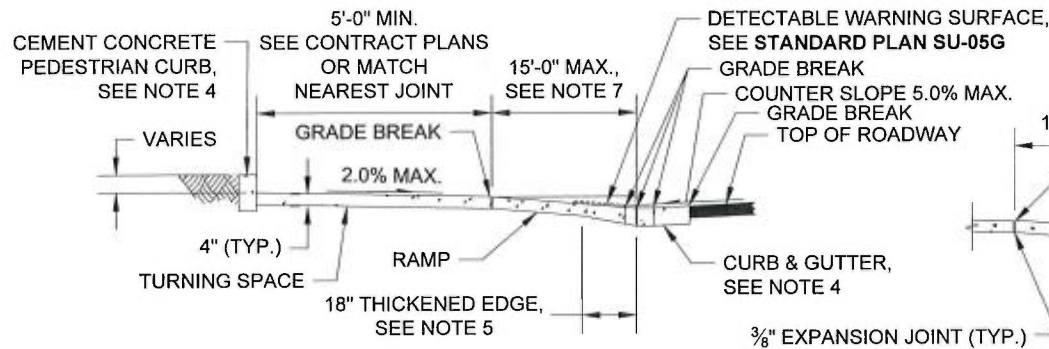


FOR SIDEWALK WIDTHS, SEE STANDARD
PLAN SU-04 AND CONTRACT PLANS, OR
MATCH EXISTING (TYP.)

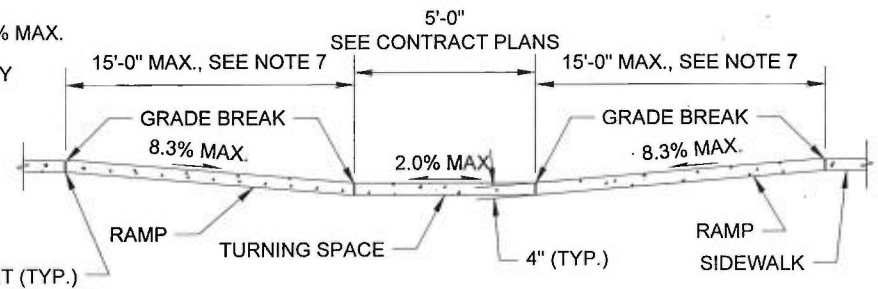
PLAN VIEW
(WITH PLANTER STRIP/LANDSCAPING)



ISOMETRIC VIEW



SECTION DETAIL A-A



SECTION DETAIL B-B

DCS

REVIEWED BY

GMS

PUBLIC WORKS

ENVIRONMENTAL
SERVICES

NA

NA

TACOMA POWER

TACOMA WATER



APPROVED FOR PUBLICATION

[Signature] 8/16/16

CITY ENGINEER

DATE

CITY OF TACOMA

COMBINATION CURB RAMP

STANDARD PLAN NO.

SU-05C