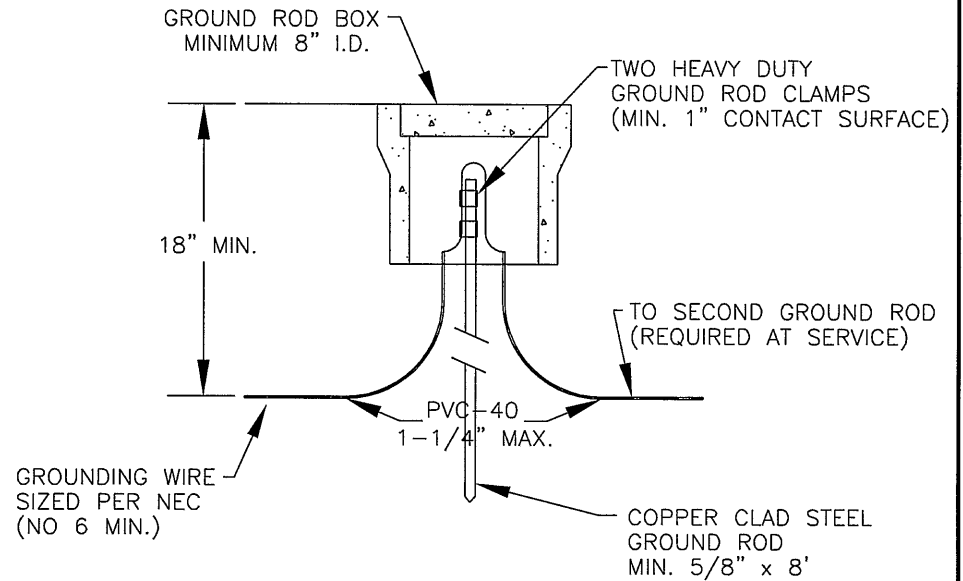


**CONDUIT GROUNDING**

USE WHERE STEEL CONDUIT DOES NOT EXTEND TO JUNCTION BOX OR OTHER TERMINATION POINT.



**GROUND ROD INSTALLATION**

**NOTES:**

1. ALL STREETLIGHT CONDUITS SHALL INCLUDE AN EQUIPMENT GROUNDING CONDUCTOR.
2. METALLIC CONDUIT SHALL BE BONDED AT BOTH ENDS TO THE EQUIPMENT GROUNDING CONDUCTOR.
3. EQUIPMENT GROUNDING CONDUCTORS SHALL BE STRANDED INSULATED COPPER.

CITY OF TACOMA  
DEPARTMENT OF PUBLIC WORKS

APPROVED FOR PUBLICATION

CITY ENGINEER 

DATE 2/4/03

STREETLIGHT

GROUNDING DETAIL

STANDARD PLAN NO. SL-10