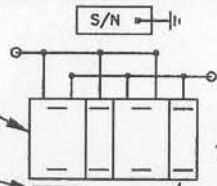


50 AMP OR AS SPECIFIED
BACK-FED MAIN BREAKER

RETAINING CLIP



MINIMUM
10,000AIC

WHEN SERVING FROM
TRANSFORMERS LARGER
THAN 50 KVA AN EVALUATION
OF INTERRUPT CAPACITY OF
THE SERVICE EQUIPMENT IS
REQUIRED.

BRANCH CIRCUITS
QTY MAY VARY

PANEL LAYOUT
N.T.S.

SIZE OF BRANCH CIRCUIT CONDUCTOR	MAXIMUM BREAKER SIZE *
#8 AWG COPPER	30AMP
#6 AWG COPPER	40AMP

* SIZE BASED ON ENSURING BREAKER WILL TRIP
ON FAULTS AT END OF LONG CIRCUITS.

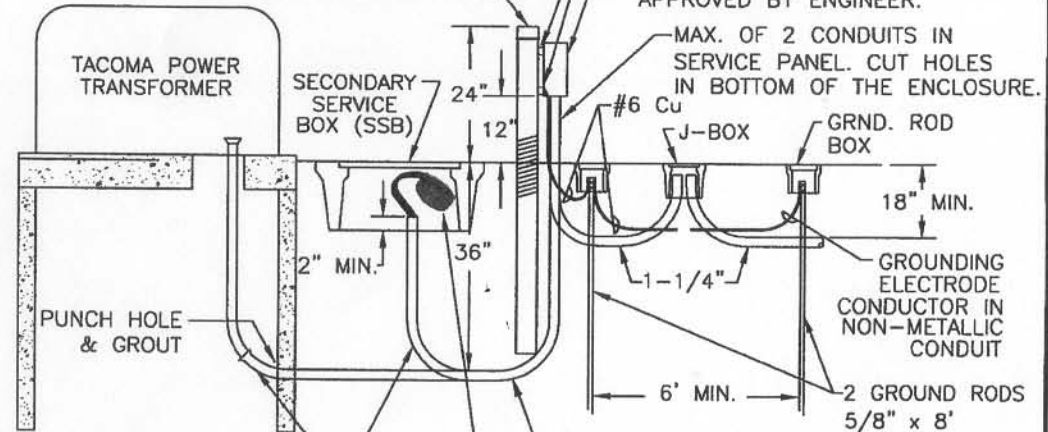
PROCEDURE:

1. OBTAIN ELECTRICAL PERMIT FROM TACOMA POWER FOR EACH ELECTRICAL SERVICE.
2. COMPLETE SERVICE PANEL INSTALLATION EXCEPT FOR ENTERING TRANSFORMER VAULT OR PAD. FOR SSB INSTALLATIONS, INSTALL CONDUIT AND WIRE INTO SSB.
3. PREFERRED PRACTICE IS TO OBTAIN SERVICE FROM SSB. CONTACT TACOMA POWER BEFORE SERVICING STREETLIGHTS FROM TRANSFORMER.
4. ARRANGE FOR ELECTRICAL INSPECTION AND CUT-IN BY TP (502-8277).
5. AFTER TP ACCEPTANCE OF SERVICE PANEL CONTACT THE UNDERGROUND RESIDENTIAL DISTRIBUTION (URD) OFFICE (502-8232) TO ARRANGE FOR CONDUIT AND CONDUCTOR ENTRANCE INTO TRANSFORMERS.

**6. DO NOT PENETRATE OUTER WALL OF ENCLOSURE
WHEN MOUNTING EQUIPMENT HARDWARE.

ELECTRICAL MOUNTING CHANNEL
3" GALV. PIPE FILLED WITH CONCRETE
(MOUNDED TOP) OR PROVIDE GALVANIZED
PIPE CAP. COLD GALVANIZE ANY
NON-GALVANIZED EDGES.

SQUARE D QO2-4RB W/40Amp
2 POLE BREAKER. SERVICE
PEDESTAL SHALL MAINTAIN 12" MIN.
CLEARANCE FROM TRANSFORMER
AT P.L. LOCATION MUST BE
APPROVED BY ENGINEER.



INSTALL 45° ELL WITH
PULLING BELL INTO VAULT
OR SSB, IF NO VAULT OR
SSB EXTEND CONDUIT THRU
TRANSFORMER PAD. PROVIDE
15' OF WIRE AT TRANSFORMER
FOR MAKE UP. TP WILL
TERMINATE IN TRANSFORMER

COIL 6FT OF
WIRE TERMINATION
WILL BE MADE BY
UTILITY CREWS.

MAX. OF 2 CONDUITS IN
SERVICE PANEL. CUT HOLES
IN BOTTOM OF THE ENCLOSURE.

#6 Cu
J-BOX
GRND. ROD
BOX
18" MIN.
GROUNDING
ELECTRODE
CONDUCTOR IN
NON-METALLIC
CONDUIT
2 GROUND RODS
5/8" x 8'

SERVICE CONDUIT WITH
BUSHINGS/BELL ENDS
1-1/4" PVC-80
W/2-#6 BLK
& 1-#6 W, USE/RHW, Cu
OR AS SPECIFIED

APPROVED FOR PUBLICATION

CITY OF TACOMA
DEPARTMENT OF PUBLIC WORKS


CITY ENGINEER

5/31/07
DATE

STREETLIGHT
SERVICE DETAIL
UNDERGROUND TYPE B
STANDARD PLAN NO. SL-09