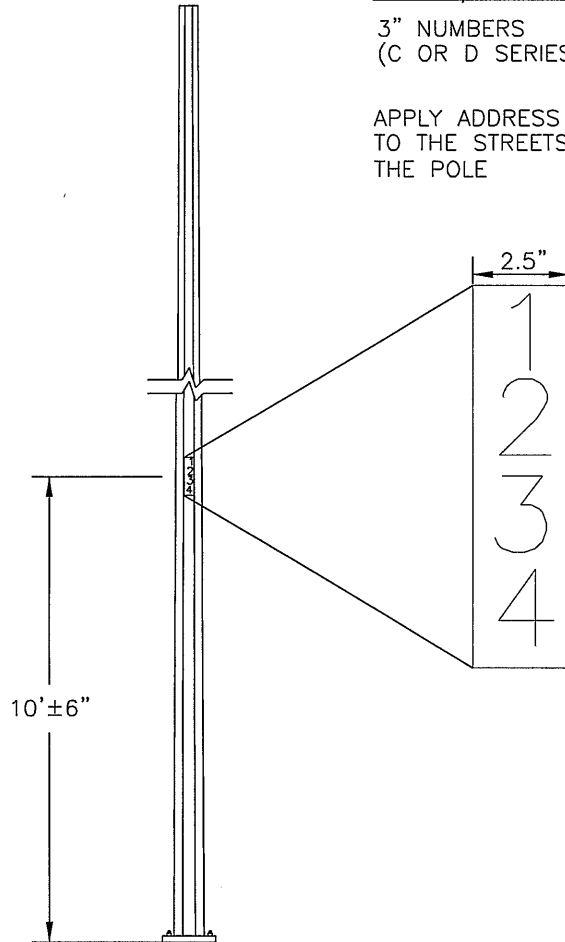


WOOD POLES:  
2" NUMBERS  
NAIL ON ALUMINUM NUMBERS

METAL/CONCRETE/FIBERGLASS POLES

3" NUMBERS  
(C OR D SERIES)

APPLY ADDRESS NUMBERS  
TO THE STREETSIDE OF  
THE POLE



COLORS:

CONCRETE POLES:

BACKGROUND: LIGHT BEIGE  
FOREGROUND: DARK BROWN

UNPAINTED ALUMINUM  
OR GALVANIZED POLES:

BACKGROUND: NONE  
FOREGROUND: BLACK

IF THERE ARE EXISTING  
NUMBERS ON POLE  
PAINT OVER OR REMOVE OLD NUMBERS

CITY OF TACOMA  
DEPARTMENT OF PUBLIC WORKS

APPROVED FOR PUBLICATION

CITY ENGINEER

2/11/03

DATE 2/4/03

STREETLIGHT  
POLE ADDRESSES  
TYPICAL DETAIL

STANDARD PLAN NO. SL-06