

STREETLIGHTING TAP
FOR USE IN BASE OF STANDARDS

TAPING INSTRUCTIONS

1. MAKE SPLICE AS SHOWN IN FIGURE A
2. APPLY TAPE AS SHOWN IN FIGURE A
APPLY TAPE AND "SCOTHKOTE" MOISTURE RESISTANT ELECTRICAL COATING OVER ENTIRE SPLICE AREA.
3. ATTACH CABLE TIE A MINIMUM OF 2" FROM THE PRESSURE CONNECTOR AS SHOWN IN FIGURE B.
4. APPLY SECOND COAT OF VARNISH.

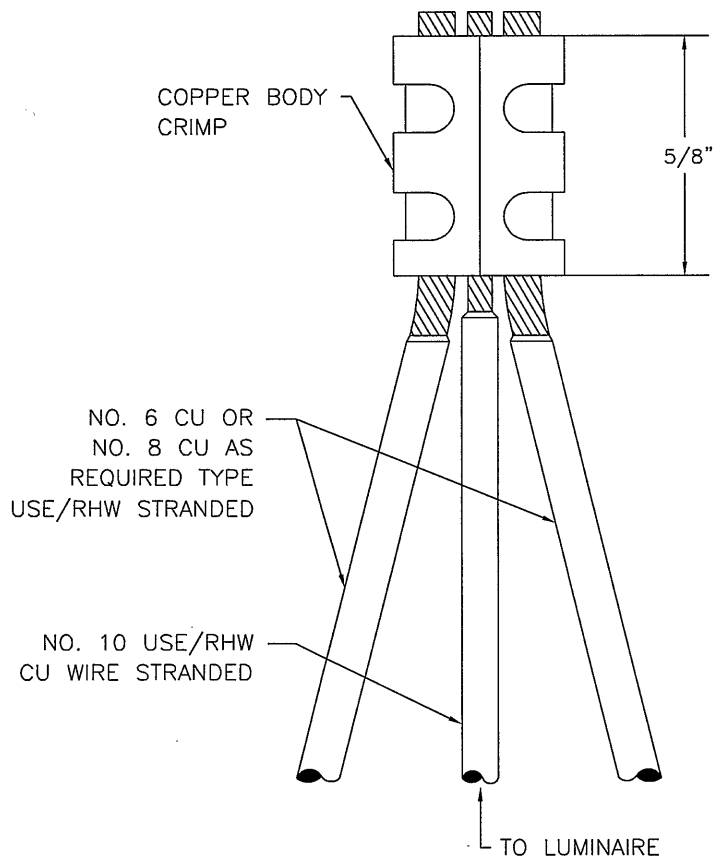


FIGURE A

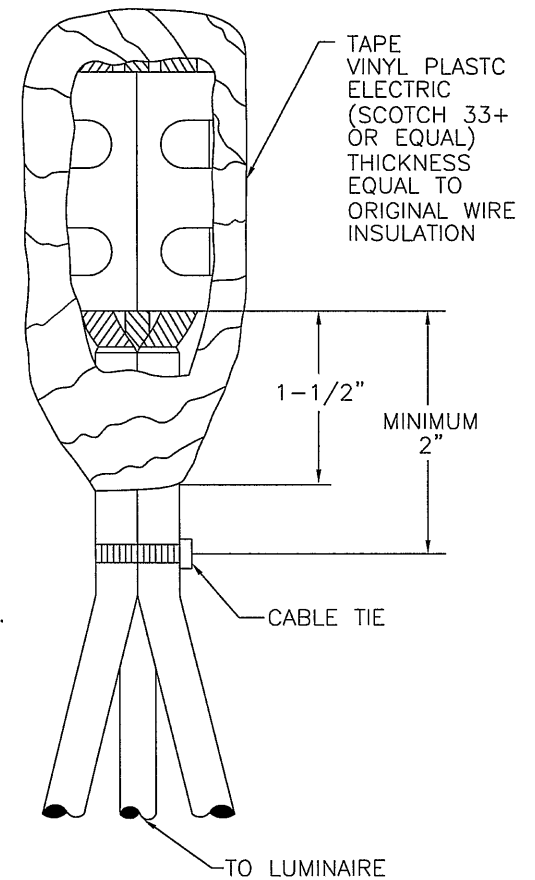


FIGURE B

CITY OF TACOMA
DEPARTMENT OF PUBLIC WORKS

APPROVED FOR PUBLICATION

CITY ENGINEER

2/11/03
DATE 2/4/03

STREETLIGHT
SPLICE FOR
HANDHOLES

STANDARD PLAN NO. SL-05