

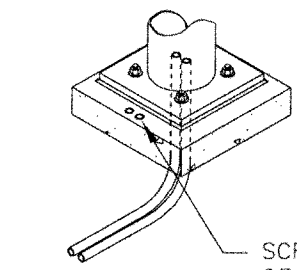
TOOL FINISH TOP AND EDGES

4EA ANCHOR BOLTS
MINIMUM TOP 8" OF BOLT SHALL BE GALVANIZED (AASHTO M111)

CONDUIT SHALL BE CENTERED ON POLE W/CLEARANCE FOR COUPLINGS/PULLING BELLS

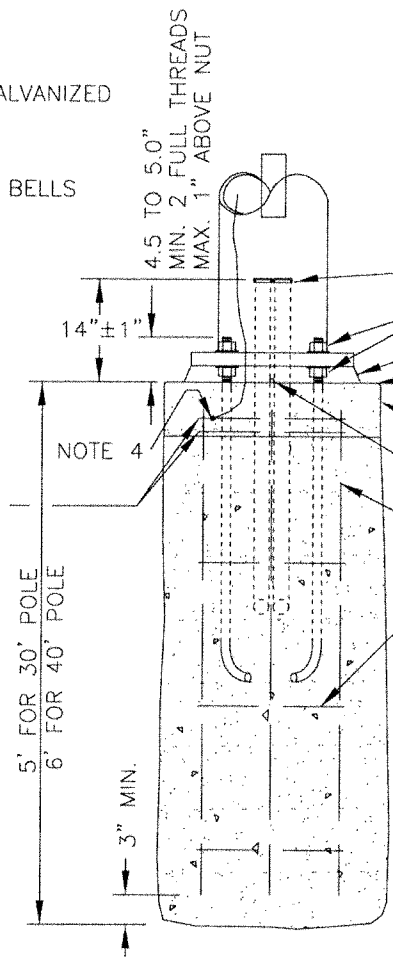
THERE SHALL BE A MINIMUM OF TWO CONDUITS IN EACH FOUNDATION. CONDUIT SHALL HAVE 18" RADIUS AND BE ORIENTED TO MINIMIZE CONDUIT BENDS.

DESIGN BASED ON INSTALLATION IN MINIMUM 3000 PSF SOIL WITH SINGLE LUMINAIRE ON 10 FOOT ARM. INSTALLATIONS NOT MEETING THESE PARAMETERS ARE SUBJECT TO ENGINEERING REVIEW.



SCRIBE A CIRCLE WITH END OF CONDUIT ABOVE EACH CONDUIT ENTERING THE FOUNDATION.

(2) HOOPS WITHIN 5" OF TOP



PULLING BELLS

GALVANIZED HEX NUTS & WASHERS

GROUT

TOP OF FOUNDATION TO BE SET TO SIDEWALK GRADE UNLESS OTHERWISE SPECIFIED.

TOP 6" OF FOUNDATION SHALL BE FORMED SQUARE

1/2" WEEP HOLE ON LOWEST SIDE

4 #4 VERTICAL REBARS

#4 REBAR HOOPS 8" O.C. (QTY AS REQ'D)

NOTES:

1. FOUNDATIONS SHALL BE INSTALLED IN 24" AUGERED HOLE IN UNDISTURBED MATERIAL. WHERE PRE-CAST BASES ARE USED, THE INSTALLATION SHALL BE REVIEWED AND APPROVED BY THE ENGINEER. ENTIRE HOLE SHALL BE BACKFILLED WITH CDF OR OTHER COMPACTIBLE MATERIAL APPROVED BY THE ENGINEER.
2. CALL FOR UTILITY LOCATION BEFORE DIGGING (1-800-424-5555)
3. ALL STEEL TO HAVE 3" MINIMUM CONCRETE COVER. HOOPS SHALL HAVE 135° HOOKS. ANCHOR BOLTS MAY BE SECURED TO HOOPS.
4. BOND CAGE TO GROUND LUG.

CITY OF TACOMA
DEPARTMENT OF PUBLIC WORKS

APPROVED FOR PUBLICATION

[Signature]

CITY ENGINEER

3/10/03
DATE 2/4/03

STREETLIGHT
FOUNDATION
30' & 40'

STANDARD PLAN NO. SL-02