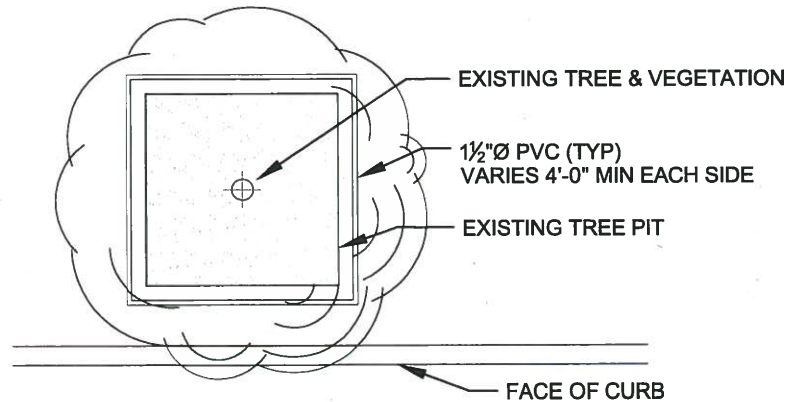
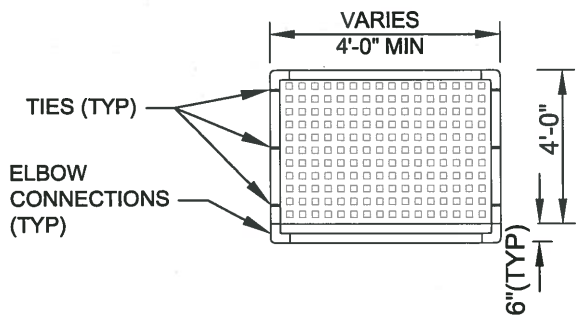


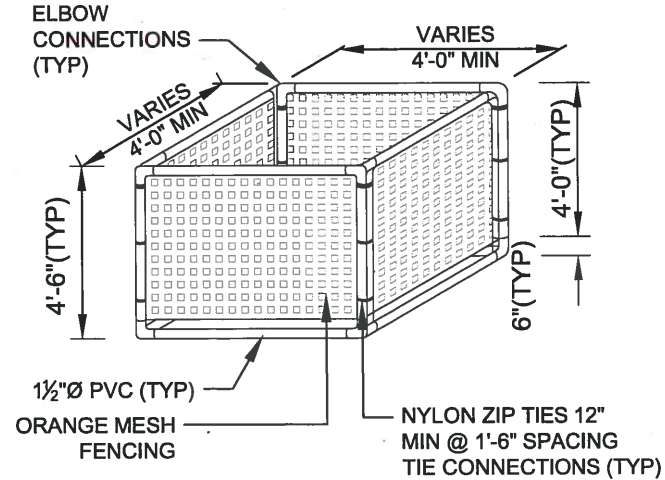
TYPICAL TREE GUARD RAIL



PLAN VIEW



TYPICAL PANEL



APPROVED FOR PUBLICATION

CITY OF TACOMA
DEPARTMENT OF PUBLIC WORKS

[Signature]
CITY ENGINEER

7/6/15
DATE

REUSABLE TREE PROTECTION
FENCING FOR PAVED AREAS

STANDARD PLAN NO. LS-11