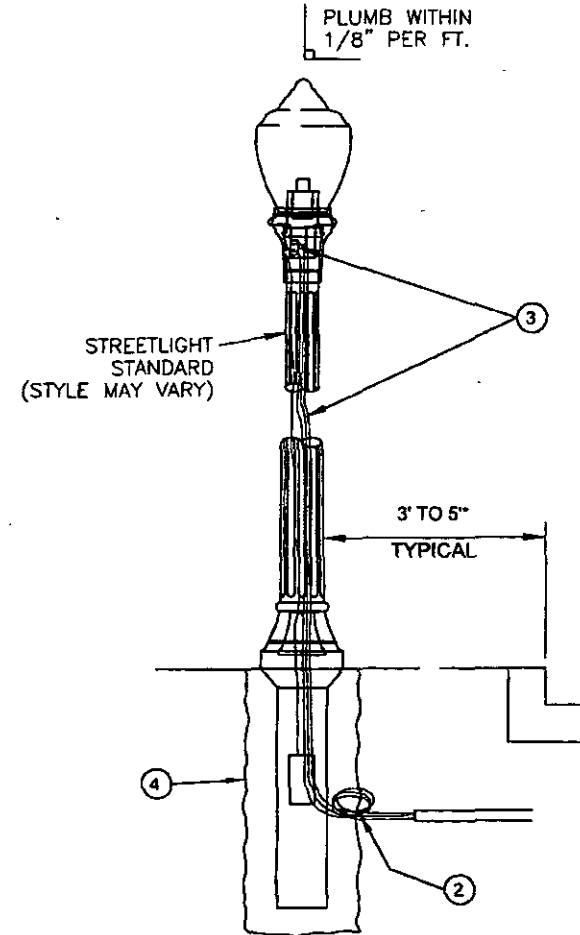
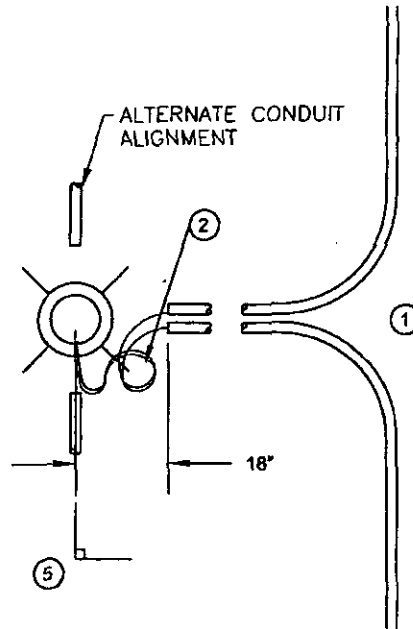


NOTES:

- ① Intercept existing conduit, where applicable, and route toward light standard. Terminate conduit(s) approximately 12" from base of standard. Seal end of conduits with tape.
- ② Coil three feet of wire at end of conduit before entering base of standard.
- ③ Route wire up to terminal block without splicing.
- ④ Minimum auger size is 12". Backfill with crushed surfacing top course. tamp in 6 inch lifts.
- ⑤ Square pole to curb ± 3 degrees.



* OR AS DETERMINED BY ENGINEER

<p>CITY OF TACOMA DEPARTMENT OF PUBLIC WORKS</p>	<p>APPROVED FOR PUBLICATION</p>	<p>NORTH SLOPE HISTORIC DISTRICT STREETLIGHT</p>
	<p><i>James Parvly</i> CITY ENGINEER</p> <p><i>19 May 2009</i> DATE</p>	