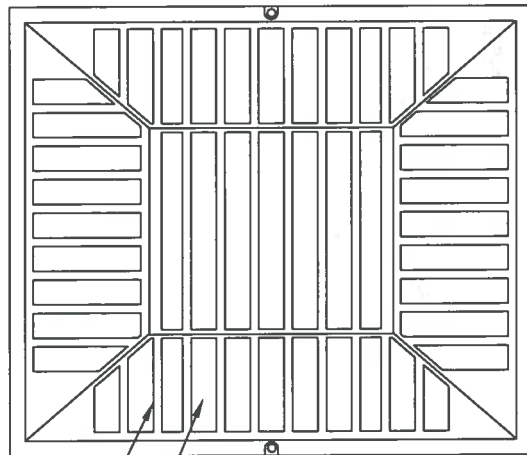


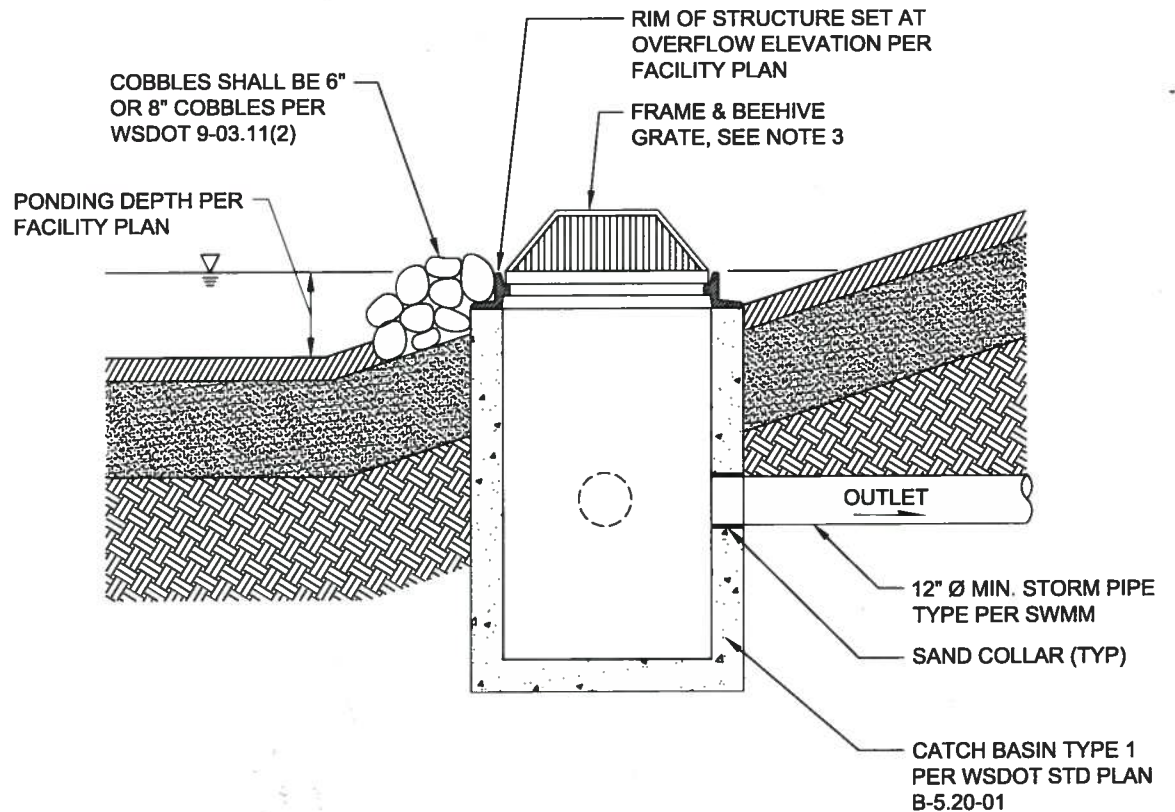
SECTION A-A
NTS



ALL BARS 5/8"
ALL SLOTS 1"

SLOT FOR
LOCKING BOLT

PLAN
NTS



COBBLES SHALL BE 6"
OR 8" COBBLES PER
WSDOT 9-03.11(2)

PONDING DEPTH PER
FACILITY PLAN

RIM OF STRUCTURE SET AT
OVERFLOW ELEVATION PER
FACILITY PLAN

FRAME & BEEHIVE
GRATE, SEE NOTE 3

OUTLET

12" Ø MIN. STORM PIPE
TYPE PER SWMM

SAND COLLAR (TYP)

CATCH BASIN TYPE 1
PER WSDOT STD PLAN
B-5.20-01

NOTES:

1. Frame and grate shall be locking and grate shall be bolted to frame. Frame shall conform to WSDOT Standard Plan B-30.10-01.
2. Overflow structure shall be located within 10 feet of road edge for maintenance access, unless approved otherwise. Overflow structure may be located in side slopes.
3. Frame and grate to conform to WSDOT Standard Specifications 9-05.15(2).
4. Plant spacing within facility to allow maintenance access to structure.

DCS

PUBLIC WORKS

NA

TACOMA POWER

REVIEWED BY

GMS

ENVIRONMENTAL
SERVICES

NA

TACOMA WATER



APPROVED FOR PUBLICATION

[Signature]
CITY ENGINEER

DATE

4/28/10

CITY OF TACOMA
OVERFLOW OUTLET
STRUCTURE

STANDARD PLAN NO.

GSI-13