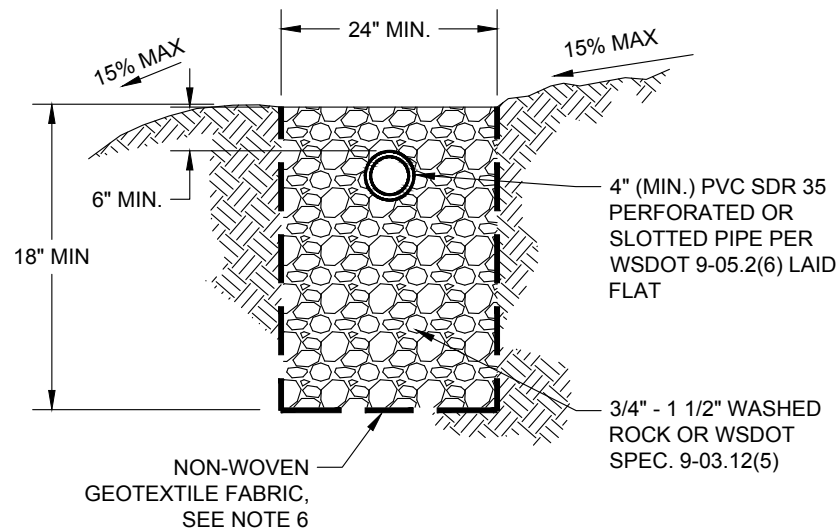


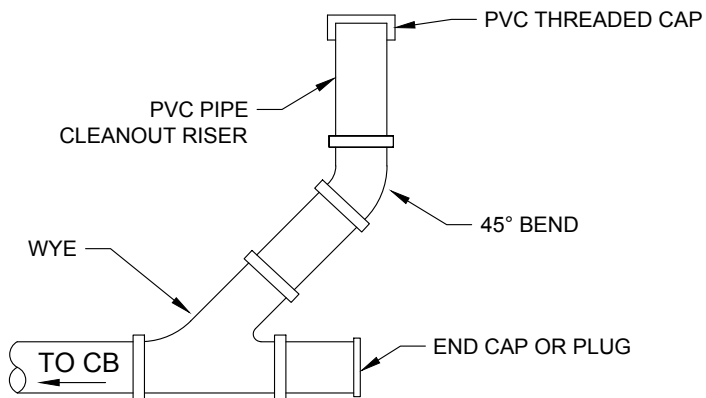
PLAN
NTS



SECTION A-A
NTS

NOTES:

1. Trench may be placed no closer than 10 feet to another (100 feet along flowpath)
2. Trench must be level. Align to follow contours on site.
3. Trench may serve roof areas up to 700 square feet. For larger roof areas, refer to GSI Figure No. 004 - Dispersion Trench with Notched Grade Board.
4. Refer to SWMM BMP L603.a.
5. Trench length not to exceed 10 feet.
6. Place non-woven geotextile fabric along walls and bottom of washed rock. Non-woven geotextile to conform to WSDOT Spec. 9-33.2(1), Tables 1 and 2.



CLEANOUT SECTION
NTS

