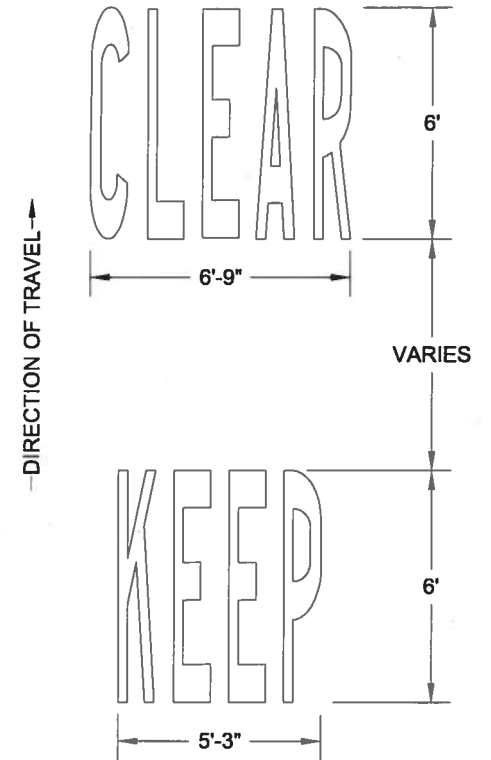
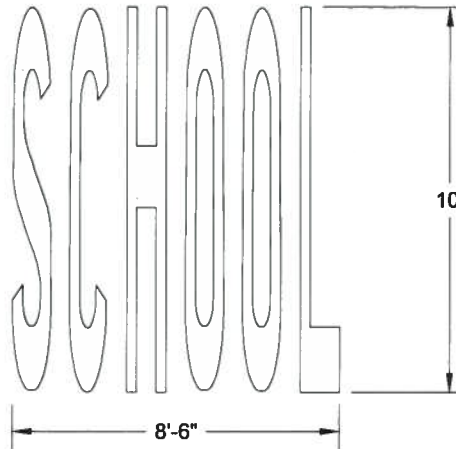
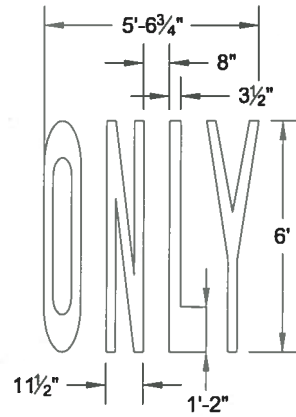
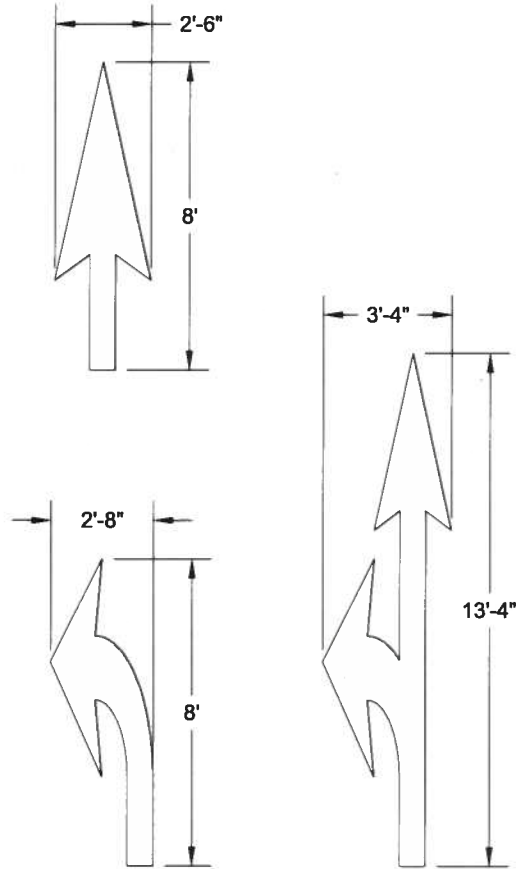


**NOTES:**

1. Contractor will provide necessary control points to assist in preliminary spotting for stripe, stop line, legends, crosswalks, traffic arrows, and associated signs.
2. Typical letter width is 11½".
3. Typical letter spacing is 8".
4. Letter stroke is 3½".
5. Refer to WSDOT M24.40-02 for more specific traffic arrow dimensions.
6. Arrows shown may be mirrored about their centerline as applicable to design.



DCS  
PUBLIC WORKS  
NA  
TACOMA POWER

REVIEWED BY *Gang*  
ENVIRONMENTAL SERVICES  
NA  
TACOMA WATER



APPROVED FOR PUBLICATION

*Kurtis M. Kingsolver*  
CITY ENGINEER  
4/4/10  
DATE

CITY OF TACOMA

PAVEMENT WORDS AND ARROWS

STANDARD PLAN NO. CH-10